

Flashlink

10G-TR-2-XFP-SFP

Bi-directional optical to optical transponder

The Nevision Flashlink 10G-TR-2-XFP-SFP is a bi-directional 10Gbps optical transponder designed to bridge between different optical systems.

The product receives, re-clocks and re-transmits one bidirectional (or two unidirectional) 10G optical signal. The product uses one XFP and one SFP+ for optical interfaces. Through these interfaces the 10G-TR-2-XFP-SFP supports 850nm multimode and 13T for local connectivity and CWDM (18 channels) and DWDM (40 channels) single mode for WAN connectivity. The product enables both wavelength and fiber type conversion.

A typical application bridges an optical port of a 10GbE switch to CWDM or DWDM wavelengths, enabling transport over a Flashlink CWDM/DWDM network. Another application—distance expanding—enables short haul interface of a switch to convert to long haul interface.

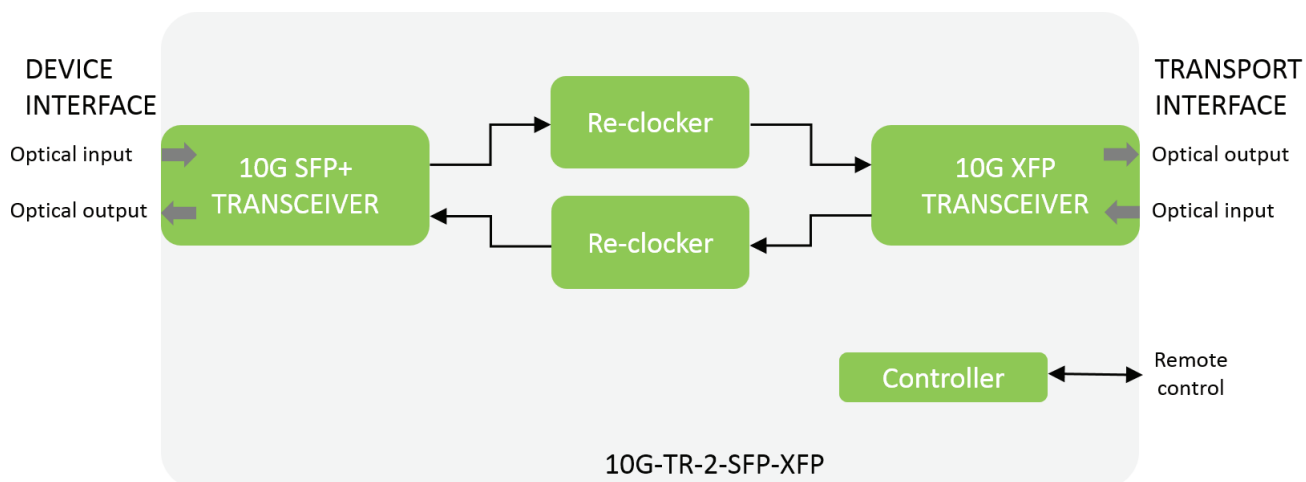
The module is monitored and controlled over RS422 by Multicon Gyda, enabling SNMP support. The module can also be controlled through DIP switches on the card, and 4 LEDs will indicate the status of the module.

Applications

- Optical networking
- 10GbE transport
- Wavelength conversion
- Dark fiber contribution

Key features

- Bi-directional
- Multi standard support including
 - 10G Ethernet
 - 10G SDH/SONET
 - 10G fiber channel
- 13T transceiver
- 18 channel CWDM support
- Tunable DWDM support
- Up to 23dB budget



Specifications

General

Power	6W/5V
User interface	Status LED, configuration DIP switches Web interface and SNMP thru Multicon controller
Operating temperature	0-40C

Supported standards

IEEE802.3ae, 1200-SM-LL-L, 10G, SONET OC-192 IR-2, SONET OC-192 IR-3, SDH STM S-64.2b, SDH STM S-64.3b

Optical input

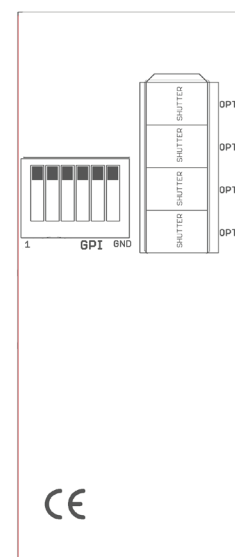
No of inputs	2
Signal type	10G Ethernet, 10G fiber channel, 10G SONET/SDH
Connector	LC/UPC
Optical system	Nevion's optical 10G transceiver SFP+ and XFP range

Optical output

No of outputs	2
Signal type	10G Ethernet, 10G fiber channel, 10G SONET/SDH
Connector	LC/UPC
Optical system	Nevion's optical 10G transceiver SFP+ and XFP range

Ordering options

22991 10G-TR-2-XFP-SFP	10G-TR-2 receives, reclocks and retransmit a bidirectional 10G optical signal. The module utilize one XFP for the outgoing traffic, and one SFP+ for local device connection. It supports all Nevion branded optical XFP and SFP+. XFP and SFP+ needs to be ordered separately. See Nevion Web page for applicable optical video SFPs.
---------------------------	--



Connector module for 10G-TR-2-XFP-SFP



CONTACT INFORMATION

The Americas

ussales@nevron.com +1 (805) 247-8560

Asia Pacific

asiasales@nevron.com +65 6872 9361

Europe and Africa

sales@nevron.com +47 33 48 99 99 / +47 22 88 97 50

Middle East

middle-east@nevron.com +971 (0)4 3901018

UK

uksales@nevron.com +44 118 9735831

nevron.com