



WOC-2-50-50-MkII
WOC-2-90-10-MkII
WOC-4-25-MkII

Wideband optical couplers

User manual

Rev. A

A large, solid green circular graphic in the bottom right corner of the page, featuring a white circular cutout in the center.

Nevion
Nordre Kullerød 1
3241 Sandefjord
Norway
Tel: +47 33 48 99 99
nevision.com

Nevion Support

Nevion Europe

P.O. Box 1020
3204 Sandefjord, Norway
Support phone 1: +47 33 48 99 97
Support phone 2: +47 90 60 99 99

Nevion USA

1600 Emerson Avenue
Oxnard, CA 93033, USA
Toll free North America: (866) 515-0811
Outside North America: +1 (805) 247-8560

E-mail: support@nevision.com

See <http://www.nevision.com/support/> for service hours for customer support globally.

Revision history

Current revision of this document is the uppermost in the table below.

Rev.	Repl.	Date	Sign	Change description
A	0	2015-05-14	MB	Cover page update; DoC removed; no other changes to content
0	-	2012-05-23	MR	Initial version

Contents

Revision history	2
1 Product overview	4
2 Specifications	5
2.1 WOC-2-xx-xx	5
2.1.1 Single mode fiber (9/125 um)	5
2.2 WOC-4-25	6
2.2.1 Single mode fiber (9/125um)	6
3 Mounting the CWDM module into frame	7
4 Connections	10
5 Laser safety precautions	12
General environmental requirements for Nevion equipment	13
Product Warranty	14
Appendix A Materials declaration and recycling information	15
A.1 Materials declaration	15
A.2 Recycling information	15

1 Product overview

The Wideband Optical Couplers (WOC) in the Flashlink range is all-optical power splitters or combiners. These modules support WDM, CWDM and DWDM optical schemes. The WOC is bitrate and format transparent; meaning SDI, Ethernet and SDH/SONET is supported. The range consists of WOC-2-50-50, WOC-90-10 and WOC-4-25.

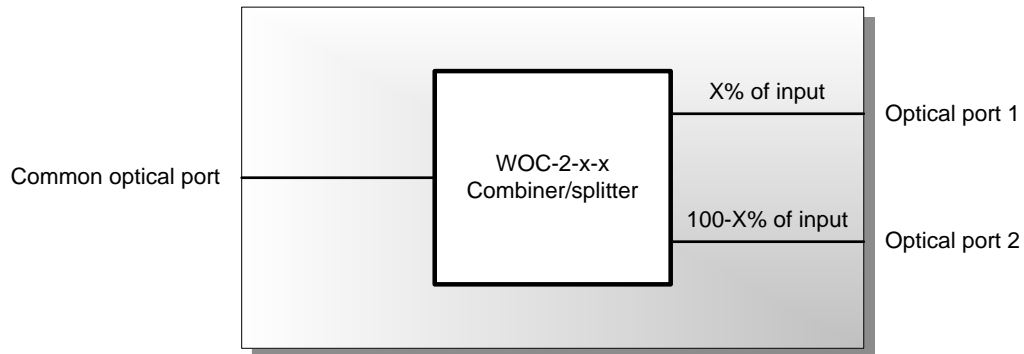


Figure 1 Block diagram of the WOC-2 module

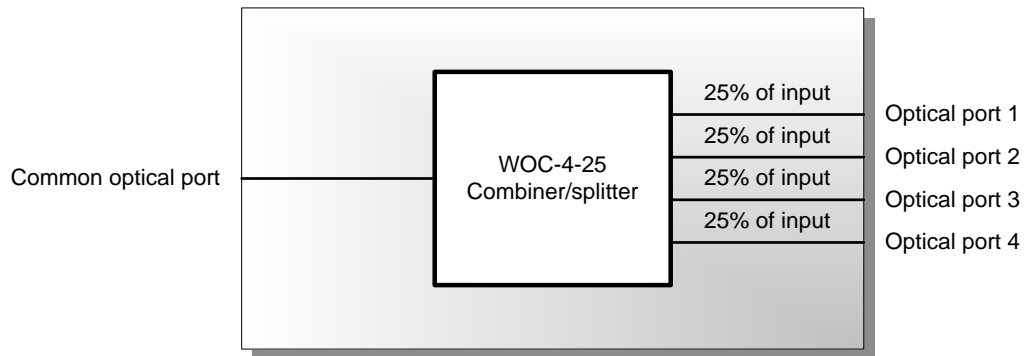


Figure 2 Block diagram of the WOC-4-25 module

The WOC-2-xx-xx is a 1:2 optical coupler available with two different coupling ratios. And the WOC-4-25 is a 1:4 optical coupler, where the optical power is divided and distributed equally to the four output ports.

A typical application for these units is multiple distribution and linear, tapped fiber optic bus structures. The unit is passive and there is no need for power or control.

The WOC-2 optical coupler is available with two different split ratios:

- WOC-2-50-50-MkII 50%-50% split ratio
- WOC-2-90-10-MkII 90%-10% split ratio

The WOC-2 has two input/output ports and one common port.

A typical application for the WOC-4-25 is distribution to multiple locations of single or multiple signals using WDM.

The WOC-4-25 optical coupler is made for wavelengths from 1260 up to 1620nm thus covering the whole CWDM band.

2 Specifications

2.1 WOC-2-xx-xx

2.1.1 Single mode fiber (9/125 μm)

Optical passband: 1260-1620 nm

Return loss: Better than 40 dB

Directivity: Better than 55 dB

Transmission circuit Single Mode

fiber:

Connector: SC/PC

(Please be aware that SC/UPC is not an official standard though it is often used to specify better return loss parameters than SC/PC)

Temperature range: 0 to +70°C (Operating)

-40 to +85°C (Storage)

Power handling: Max. 300mW

Split ratios and corresponding maximum insertion loss (incl. connectors):

WOC-2-50-50:	50 % / 50 %	4.3 dB / 4.3 dB (1260nm-1350nm and 1510-1620nm) 4.6 dB / 4.6 dB (1350nm-1510nm)
WOC-2-90-10:	90 % / 10 %	1.33 dB / 11.7 dB (1260nm-1350nm and 1510-1620nm) 1.6 dB / 11.95 dB (1350nm-1510nm)

2.2 WOC-4-25

2.2.1 Single mode fiber (9/125um)

Optical passband:	1260-1620 nm
Return loss:	Better than 40 dB
Directivity:	Better than 55 dB
Transmission circuit fiber:	Single Mode
Connector:	SC/UP (Please be aware that SC/UPC is not an official standard though it is often used to specify better return loss parameters than SC/PC)
Temperature range:	0 to +70°C (Operating) -40 to +85°C (Storage)
Power handling:	Max. 300mW

Split ratio: 25%/25%/25%/25%

Insertion loss with connectors: Max 9.0dB over the pass band.

3 Mounting the CWDM module into frame

The CWDM filter must be mounted in a Flashlink sub rack. This is done from the rear. Do not use force when inserting the CWDM filter. The module's main board has a special design to utilize both card rails in the FL sub rack. In order to enter the lower rail before sliding the unit into its final position, please follow the method shown in the pictures below.

(Please note that the pictures show a not relevant product with similar mechanical solution).

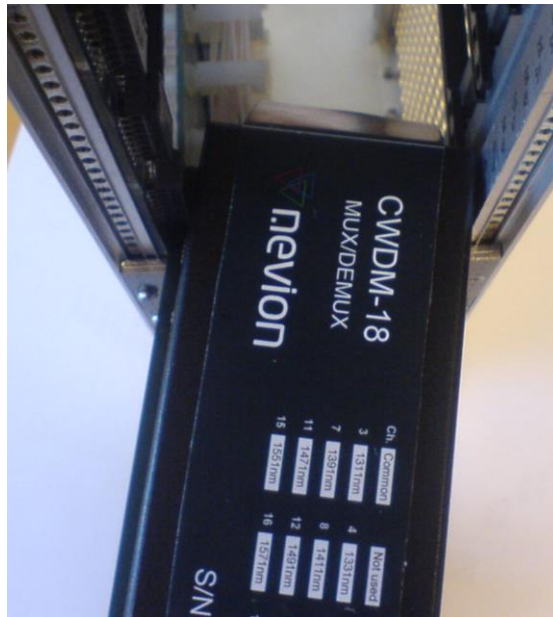


Figure 2 Enter the module with angle

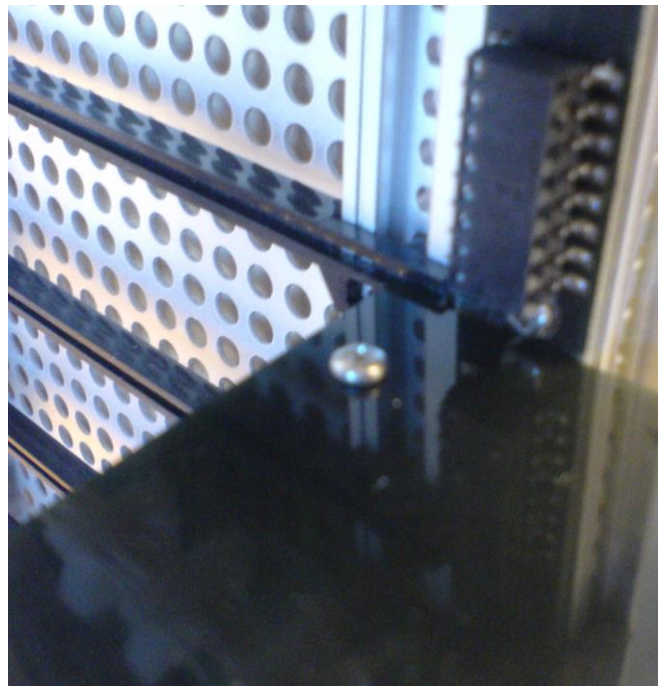


Figure 3 PCB tag inside the power bus PCB

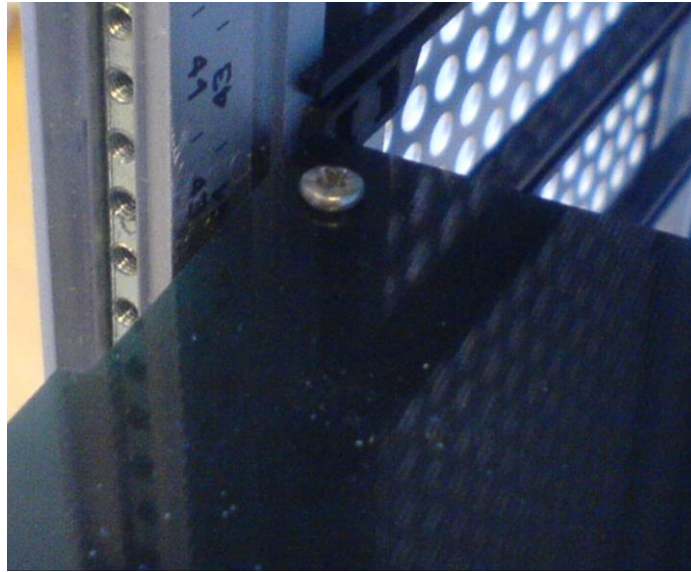


Figure 4 Opposite side of PCB tag

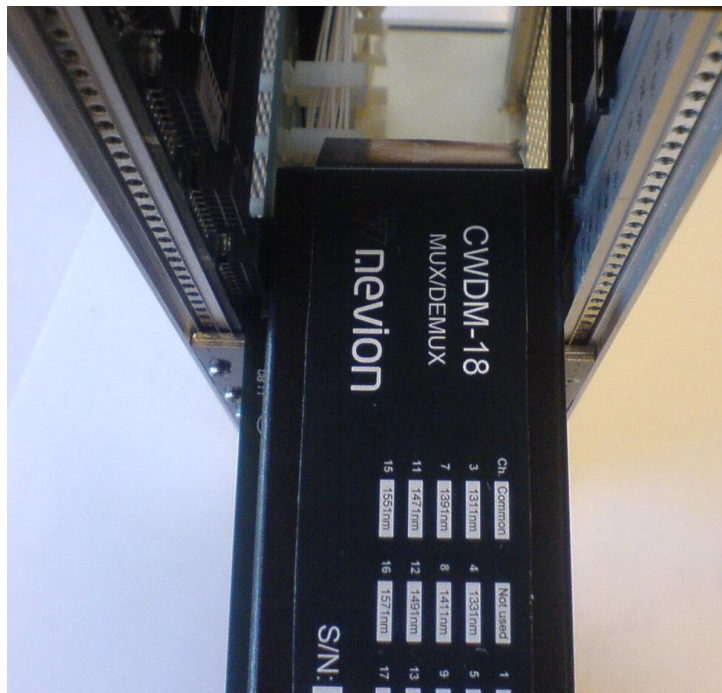


Figure 5 Adjust to normal position

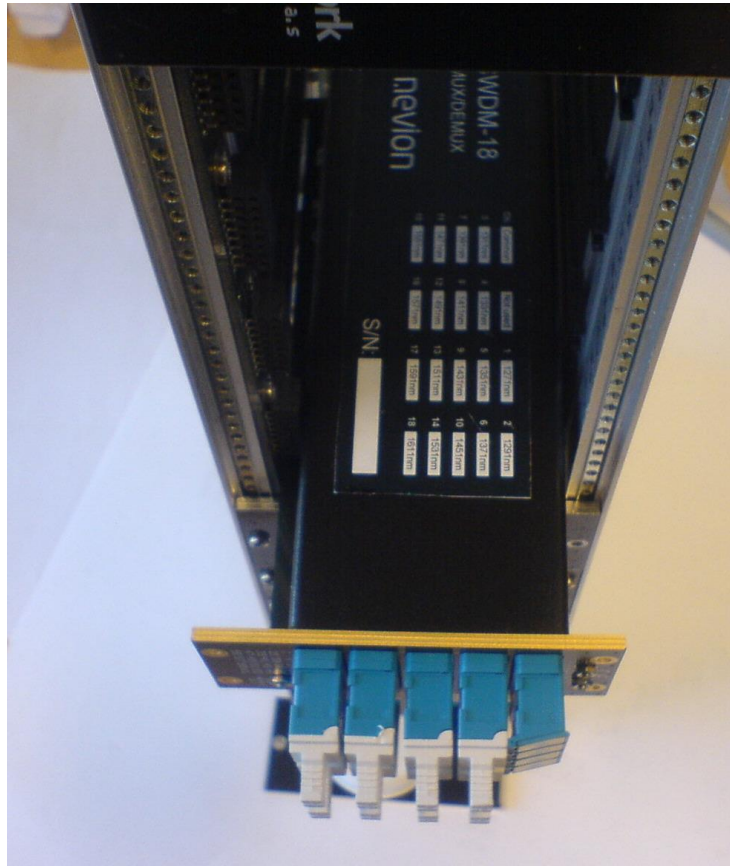


Figure 6 Slide the module to final position using both card rails.



Figure 7 Module mounted in frame

4 Connections

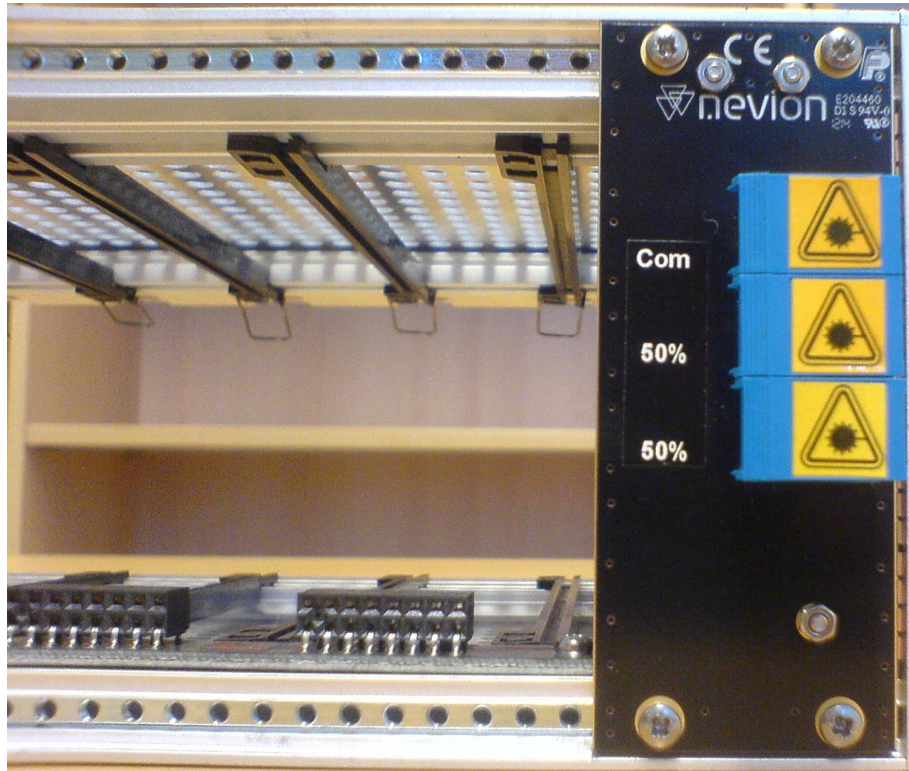


Figure 8 WOC-2-50-50 Mounted in a Flashlink sub rack

The WOC-2 / WOC-4 products are self-contained modules where the connector module is attached to the box protecting the optical component. The modules shall be mounted from the rear of the frame.

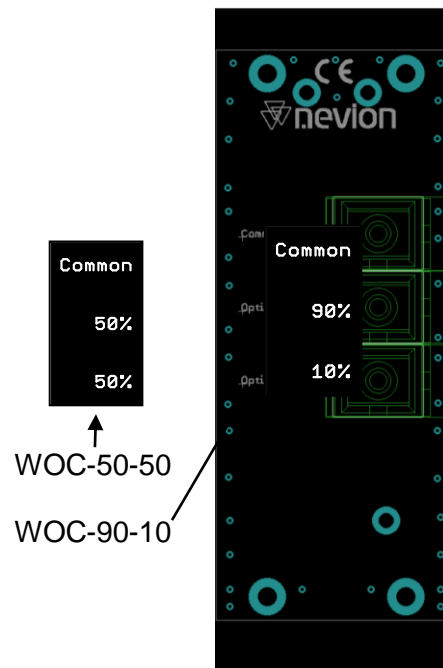


Figure 9 Overview of the WOC-2 connector module

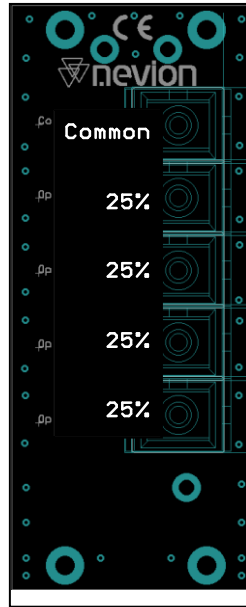


Figure 10 Overview of the WOC-4 connector module

5 Laser safety precautions

These are guidelines to limit hazards from laser exposure.

All the available EO units in the Flashlink range include a laser.

Therefore this note on laser safety should be read thoroughly even though there is no laser onboard this product.

The lasers emit light at wave lengths between 1271 nm and 1611 nm. This means that the human eye cannot see the beam, and the blink reflex cannot protect the eye. (The human eye can see light between 400 nm to 700 nm).

A laser beam can be harmful to the human eye (depending on laser power and exposure time). Therefore:

Be careful when connecting / disconnecting fiber pigtails (ends).

Never look directly into the pigtail of the laser/fiber.

Never use microscopes, magnifying glasses or eye loupes to look into a fiber end.

Use laser safety goggles blocking light between 1271 nm and at 1611 nm

Instruments exist to verify light output power: Power meters, IR-cards etc.

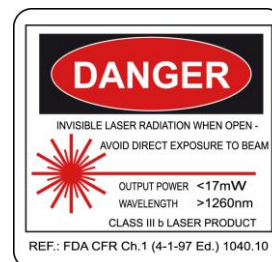
Flashlink features:

The FR-2RU-10-2 is classified as Class 1 laser product according to EN 60 825-1:94/A11:96, and CFR Ch1 (1997) Part 1040.10.

If the front panel is removed, the FR-2RU-10-2 is classified as Class 1 laser product according to EN 60 825-1:94/A11:96, and class IIIb according to CFR Ch1 (1997) Part 1040.10.

Maximum output power¹: 17 mW

Operating wavelengths: > 1260 nm



¹ Max power is for safety analysis only and does not represent device performance.

General environmental requirements for Nevion equipment

1. The equipment will meet the guaranteed performance specification under the following environmental conditions:
 - Operating room temperature range: 0°C to 50°C
 - Operating relative humidity range: <90% (non-condensing)
2. The equipment will operate without damage under the following environmental conditions:
 - Temperature range: -10°C to 60°C
 - Relative humidity range: <95% (non-condensing)

Product Warranty

The warranty terms and conditions for the product(s) covered by this manual follow the General Sales Conditions by Nevion, which are available on the company web site:

www.nevion.com

Appendix A Materials declaration and recycling information

A.1 Materials declaration

For product sold into China after 1st March 2007, we comply with the “Administrative Measure on the Control of Pollution by Electronic Information Products”. In the first stage of this legislation, content of six hazardous materials has to be declared. The table below shows the required information.

組成名稱 Part Name	Toxic or hazardous substances and elements					
	鉛 Lead (Pb)	汞 Mercury (Hg)	鎘 Cadmium (Cd)	六价铬 Hexavalent Chromium (Cr(VI))	多溴联苯 Polybrominated biphenyls (PBB)	多溴二苯醚 Polybrominated diphenyl ethers (PBDE)
WOC-2-50-50-MkII WOC-2-90-10-MkII WOC-4-25-MkII	○	○	○	○	○	○
<p>O: Indicates that this toxic or hazardous substance contained in all of the homogeneous materials for this part is below the limit requirement in SJ/T11363-2006.</p> <p>X: Indicates that this toxic or hazardous substance contained in at least one of the homogeneous materials used for this part is above the limit requirement in SJ/T11363-2006.</p>						

This is indicated by the product marking:



A.2 Recycling information

Nevion provides assistance to customers and recyclers through our web site <http://www.nevion.com/>. Please contact Nevion’s Customer Support for assistance with recycling if this site does not show the information you require.

Where it is not possible to return the product to Nevion or its agents for recycling, the following general information may be of assistance:

- Before attempting disassembly, ensure the product is completely disconnected from power and signal connections.
- All major parts are marked or labeled to show their material content.
- Depending on the date of manufacture, this product may contain lead in solder.
- Some circuit boards may contain battery-backed memory devices.