

Flashlink

DA-3GHD-8-DUAL

Dual 1x8 3G-SDI Distribution Amplifier

The Flashlink DA-3GHD-8-DUAL is a dual 1x8 multi-rate distribution amplifier reclocking 3G/HD/SD-SDI and DVB-ASI.

The product is a two card solution onto a single backplane slot for the Flashlink FR202 frame or Flashcase II. It is available with either DIN 1.0/2.3 or HD-BNC connectors. The two cards operate separately and the backplane has no active components, allowing one card to be replaced without affecting the other card.

All outputs are non-inverting, supporting DVB-ASI. Each output also detects if its port is unconnected and turns off automatically. This minimizes the power consumption in operation.

The Flashlink element manager Multicon Gyda enables web and SNMP interface for monitoring card and signal status.

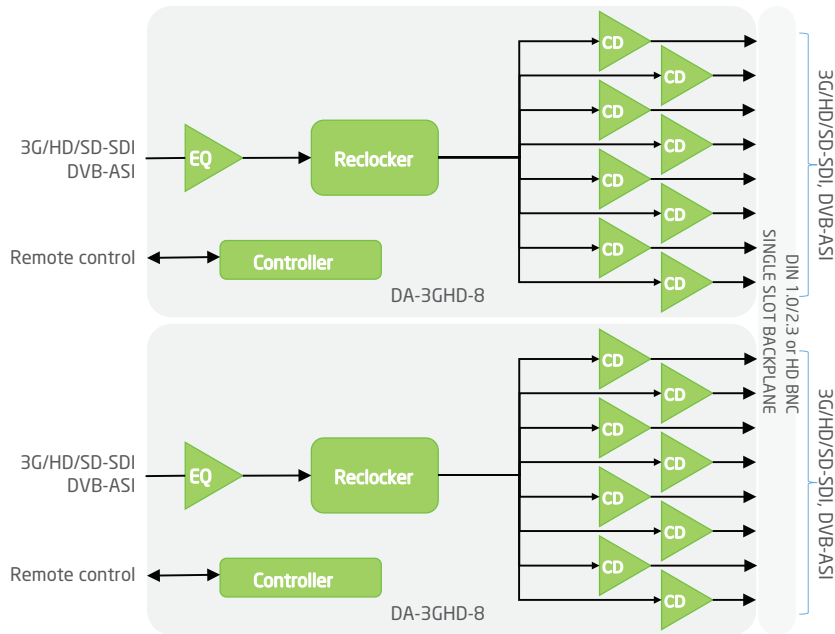
This product cannot be used in the Flashlink FR-2RU-10-2- chassis, but a single card solution with BNC ports is available.

Applications

- Video distribution
- AES-3id distribution

Key features

- Ultra long cable reach
 - 90m 3G-SDI
 - 180m HD-SDI
 - 325m SD-SDI
- Dual 1x8 distribution amplifier
- 16 non-inverting outputs
- Up to 160 outputs in 2RU
- Cable detection on outputs



General

Power	2.8W/5V
User interface	Status LED, Status GPI, configuration DIP switches Web interface and SNMP through Multicon controller
Operating temp.	0 – 40C

Supported standards

SMPTE-259M, SMPTE-292, SMPTE-274M,
SMPTE-291M, SMPTE-296M, SMPTE-299M,
SMPTE-424M, EN50083-9, SMPTE-RP165,
SMPTE-352M

Electrical SDI input

No of inputs	2
Signal type	3G-SDI, HD-SDI, SD-SDI, DVB-ASI 19.4Mbps – 2970Mbps
Cable equalization	Automatic
3G-SDI	80m Belden 1694A
HD-SDI	180m Belden 1694A
SD-SDI	300m Belden 8281
Connector	HDBNC or DIN1.0/2.3, 75 Ohm

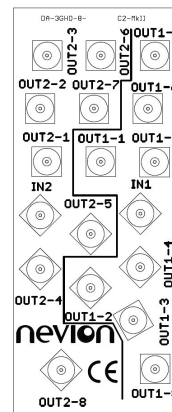
Electrical SDI output

No of outputs	16
Signal polarity	Non-inverting
Level	800mV +/-10%
Connector	HDBNC or DIN1.0/2.3, 75 Ohm

Ordering options

23984	Dual 1x8 3G/HD/SD/ASI distribution amplifier with HDBNC connectors
DA-3GHD-8-DUAL-HDBNC	
23985	Dual 1x8 3G/HD/SD/ASI distribution amplifier with DIN1.0/2.3 connectors
DA-3GHD-8-DUAL-DIN	

- Can only be used in FR202 and FlashCase II housings.



DA-3GHD-8-DUAL



CONTACT INFORMATION

The Americas

ussales@nevron.com +1 (805) 247-8560

Asia Pacific

asiasales@nevron.com +65 6872 9361

Europe and Africa

sales@nevron.com +47 33 48 99 99 / +47 22 88 97 50

Middle East

middle-east@nevron.com +971 (0)4 3901018

UK

uksales@nevron.com +44 118 9735831

nevron.com